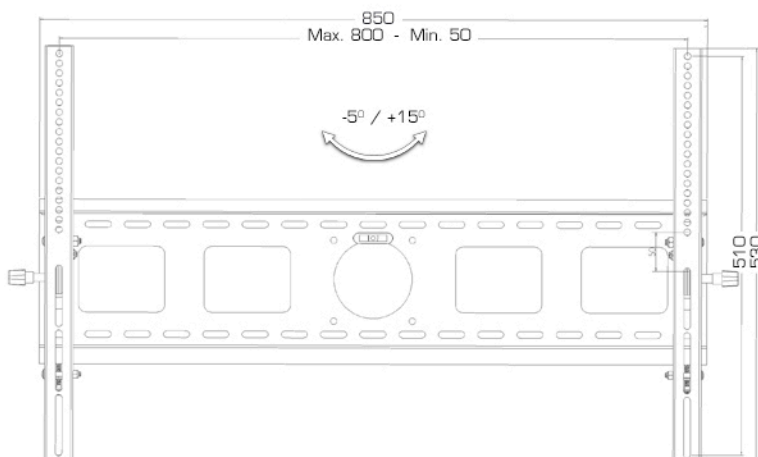
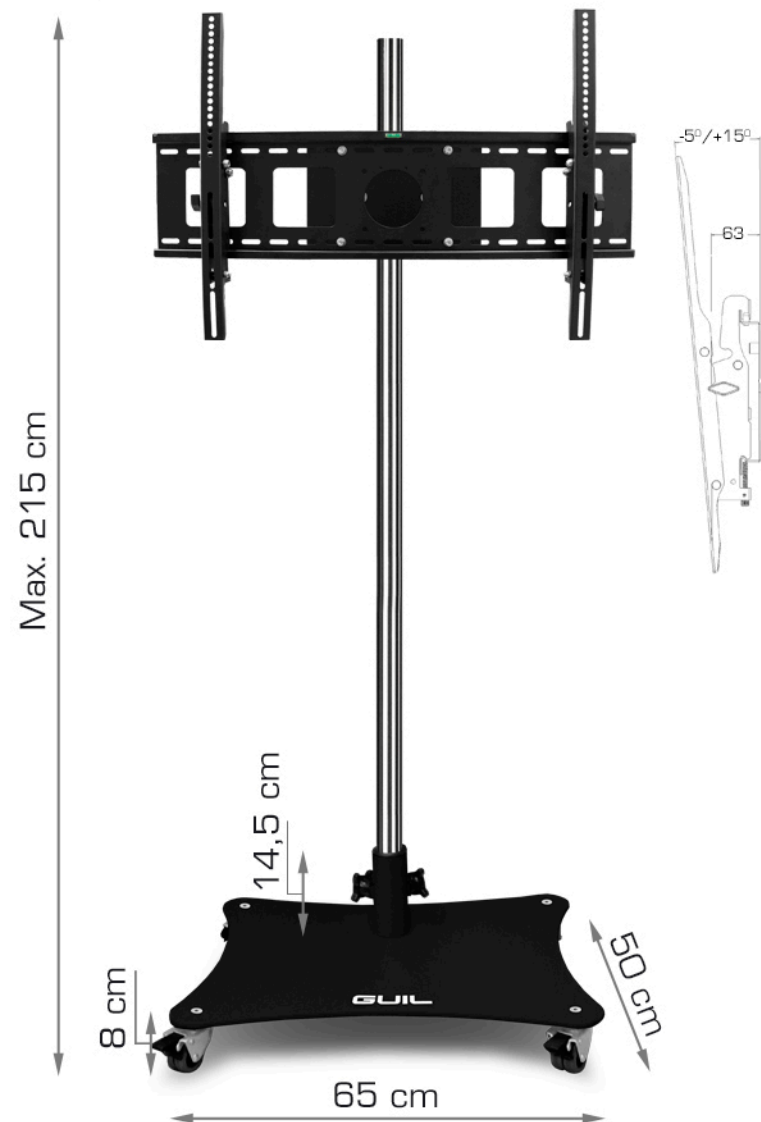


Professional mobile stand to display TV screens from 32 to 55 inches



**Specifications:**

Screen Size:	From 32" to 55"
Load Capacity:	40 kg
Overall Height:	215 cm
Double Wheels:	Ø 50 mm
Base:	65 x 50 cm
Net Weight:	23 kg
Color:	Black & Stainless steel with shiny finish
Material:	Stainless steel, steel & aluminium (couplers)

Professional mobile stand to display TV screens from 32 to 55 inches with a maximum weight of 40 Kg.

Our mobile TV trolley for plasma screens, LCD and LED screens is adjustable in height and includes a tilting mount. Its removable pole is made of stainless steel, guaranteeing maximum durability and resistance even when the stands are used outdoors (terraces, outdoor events, etc.).

The base with double swivel wheels with brakes, allows the screen to be wheeled from one room to another without having to dismantle it. Our PTR-01/XL mobile stand has a quick and easy installation with all necessary hardware included. It combines an elegant design with maximum stability and durability. They are the perfect option for all professional applications: conventions, conferences, classrooms, exhibitions, offices, shopping centres, etc.

**Tilting mount:** The screen can be placed in a straight position or with a downward tilt of up to 15° for seated viewing. The universal screen mount has a spirit level to guarantee a perfect screen adjustment when installed.

**Adjustable in Height:** The height of the screen can be adjusted by sliding it up or down the stainless-steel masts with shiny finish and securing it with the aluminium couplers (ref. ABZ-29). This way the plasma screen can be positioned at any point along the masts to achieve an ideal viewing height. The masts with cable access can also be finished in black color, which corresponds to the stand ref. PTR-01/XL-N.

**Heavy-duty base with wheels:** Its reinforced base, made of a laser cut steel plate, is provided with four non-marring double swivel castors with brakes which ensure safe and easy manoeuvrability. The wheels can also be removed and the stand placed directly on the floor or as an alternative, user can order levelling feet.

**Accessories:** Do you need an adapter to place a camera, a tray for placing a DVD player, laptops or projector on, a different height, a specific colour? Contact us and tell us about your project, as manufacturers we will be happy to study the possibility to develop the screen stand that meets your needs.