

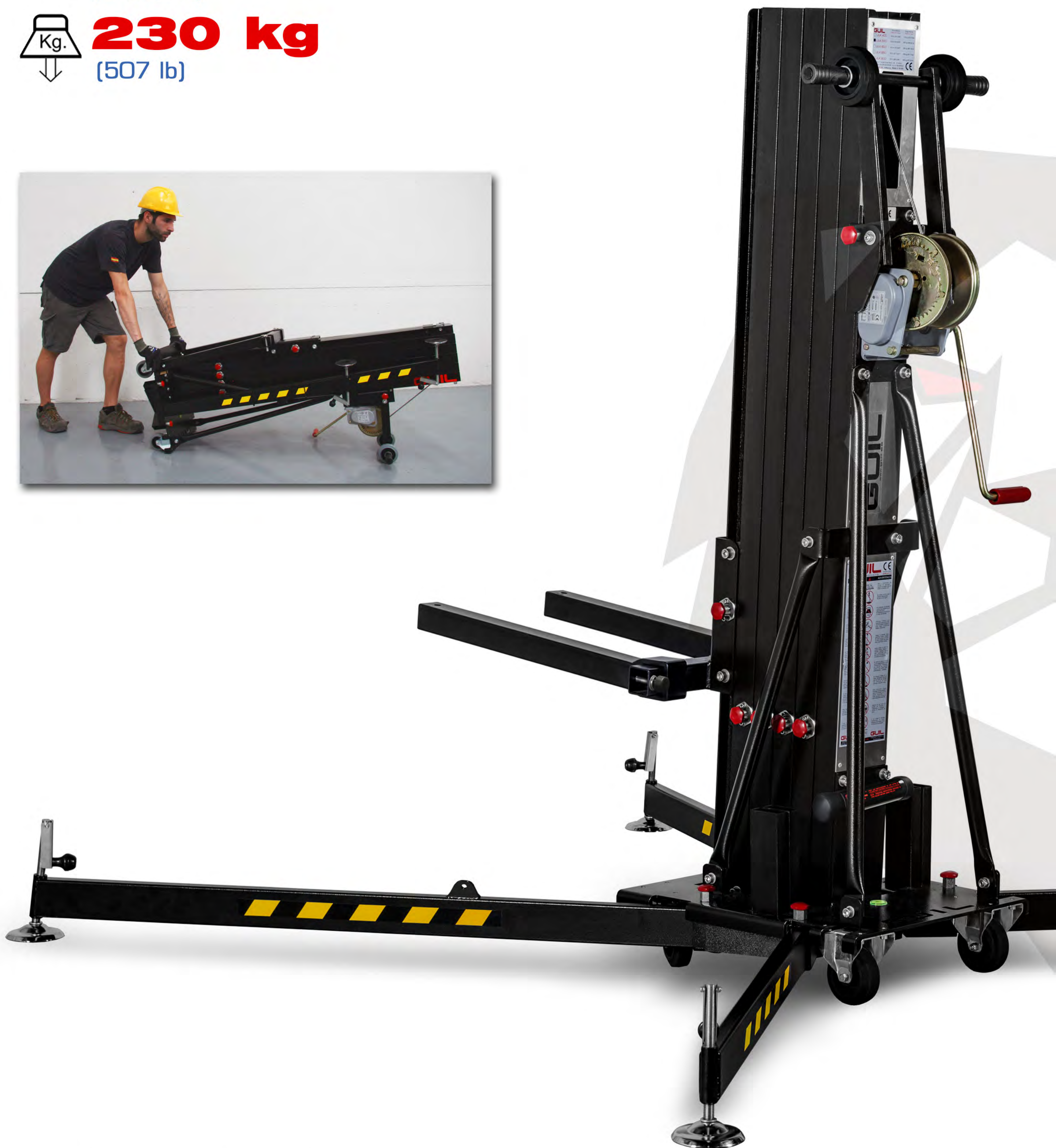


GUIL®

ULK 500 PLUS

↑↑ **6.50 m**
(21.32 ft)

⬇ Kg. **230 kg**
(507 lb)



MADE IN SPAIN



www.guil.es



GUIL®

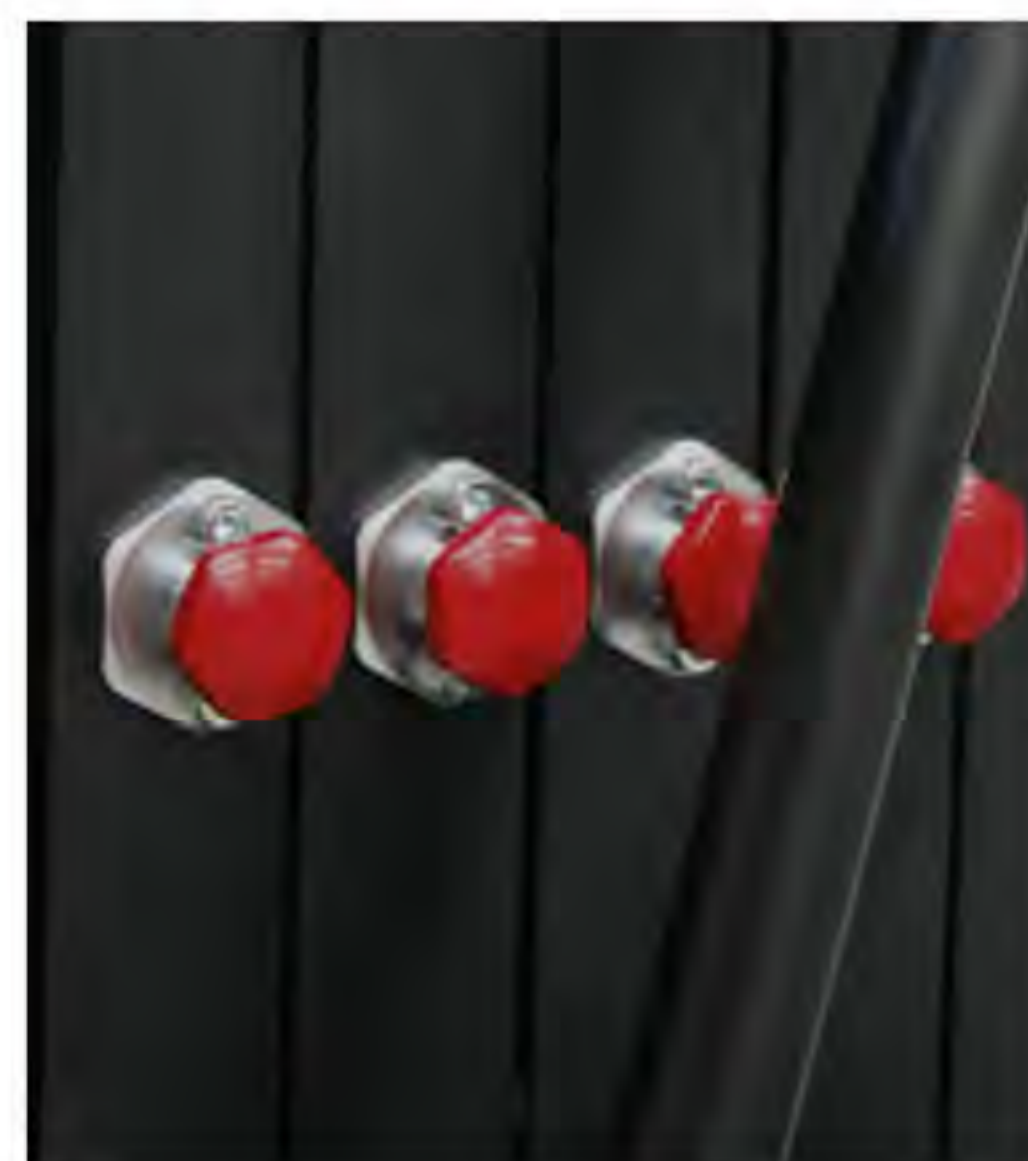
ULK 500 PLUS

LIFTING TOWERS WITH 3 SAFETY SYSTEMS



Ref. **AL-KO 900**

AUTO-BRAKE WINCH.
COMPLIES WITH CE MACHINERY DIRECTIVES.



AUTOMATIC SAFETY
BLOCKING SYSTEM (ASB)



INTERNAL PENDULUM
BRAKE SYSTEM (IPB)



MAST SECTION
UNBLOCKING SYSTEM (MSU)



MAST SEQUENCE
CONTROL SYSTEM (MSC)



MORE MAST OVERLAP.
PREVENT FISHING ROD EFFECT.



DGUV Regulation 17&18

MADE IN SPAIN



TECHNICAL SPECIFICATIONS

ULK 500 PLUS

WORKING HEIGHT	6,50 m / 21.32 ft
MAXIMUM LOAD	230 kg / 507 lb
NET WEIGHT	121 kg / 267 lb
FOLDED DIMENSIONS	570 x 460 x 1980 mm / 1' 10.44" x 1' 6.10" x 6' 5.95"
LOADING HEIGHT	19 cm / 7.48"
No OF SECTIONS	5
WIDTH OF PROFILE	135 x 89 mm / 5.31" x 3.50"
AUTO BRAKE WINCH	Ref. AL-KO 900
MINIMUM LOAD WEIGHT	20 kg / 44.09 lb
MADE WITH	ALUMINIUM - STEEL
ALLOY	EN-AW 6082 T6 - S235 JRH
COLOUR	BLACK
COMPLIES WITH/	DGUV Regulation 17&18, DGUV Rule 115-002, DIN 56950-1, 2006/42/CE



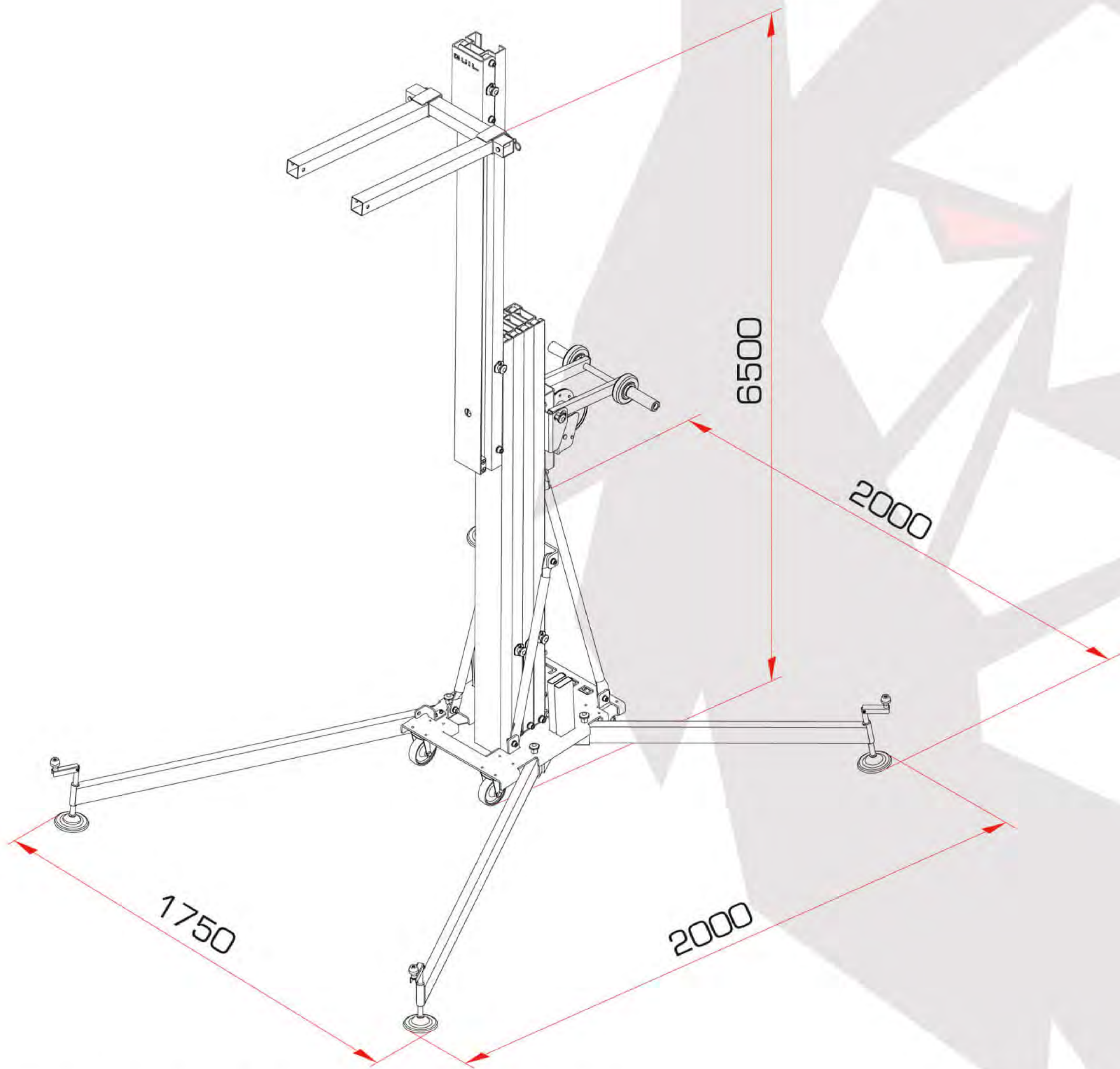
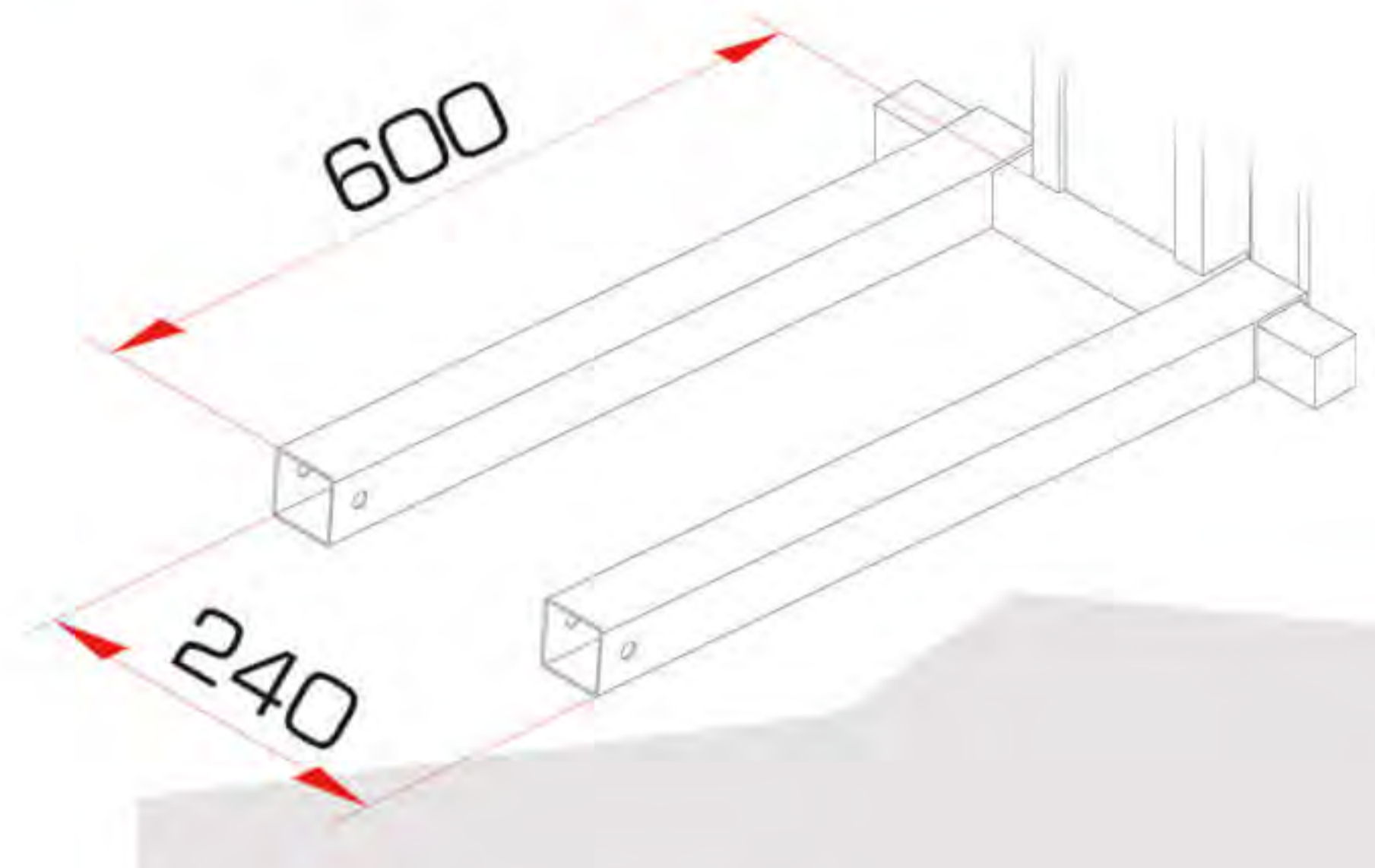
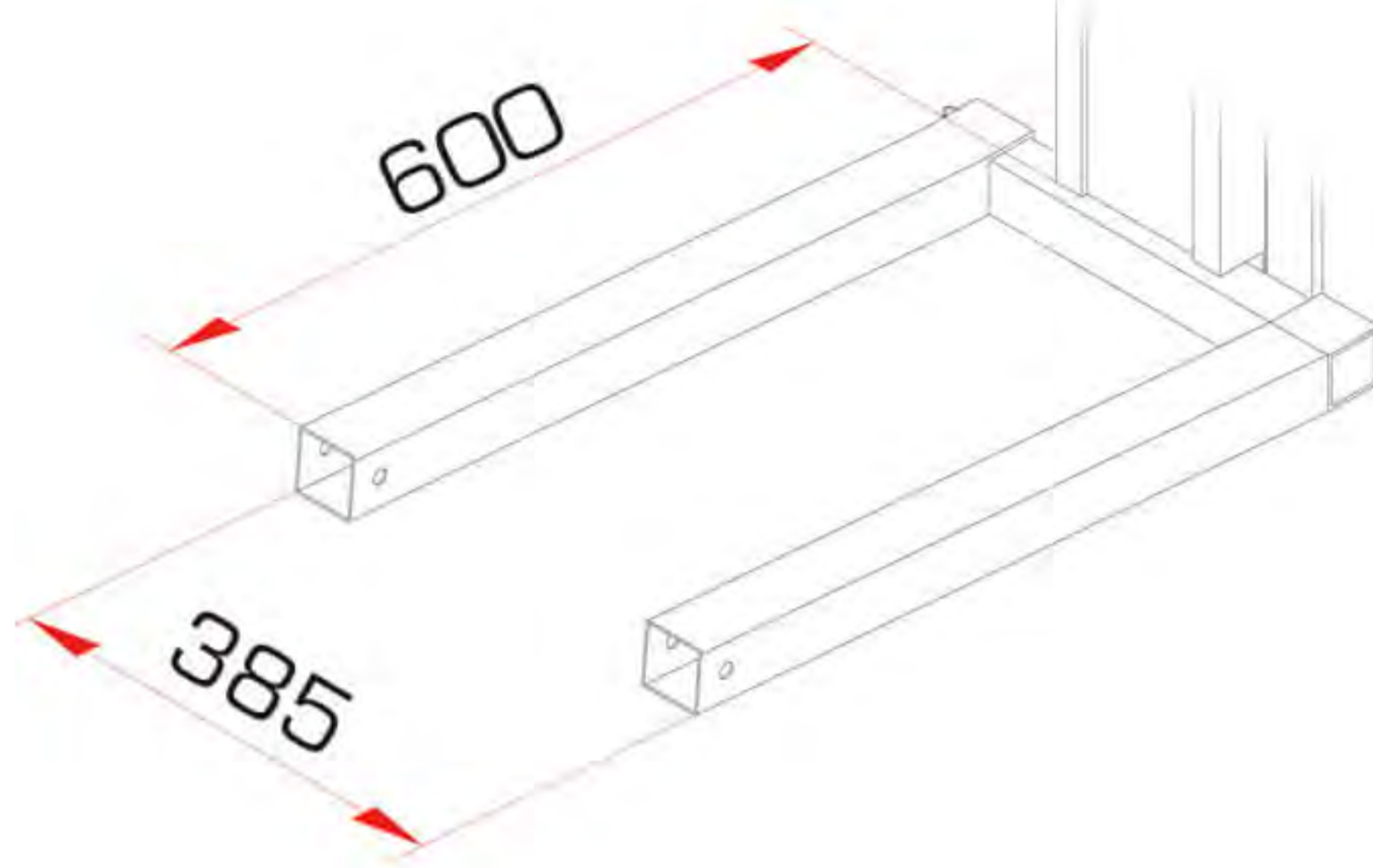
GUIL®

ULK 500 PLUS

MADE IN SPAIN



LINE ARRAY



ADAPTORS FOR ULK TOWERS

ADAPTORS TO FLY LINE ARRAY SYSTEMS



Ref. **ULK-A7**



Ref. **ULK-A5**

SWIVEL ADAPTOR TO FIT TRUSSES TO ULK TOWERS



Ref. **ULK-A11**

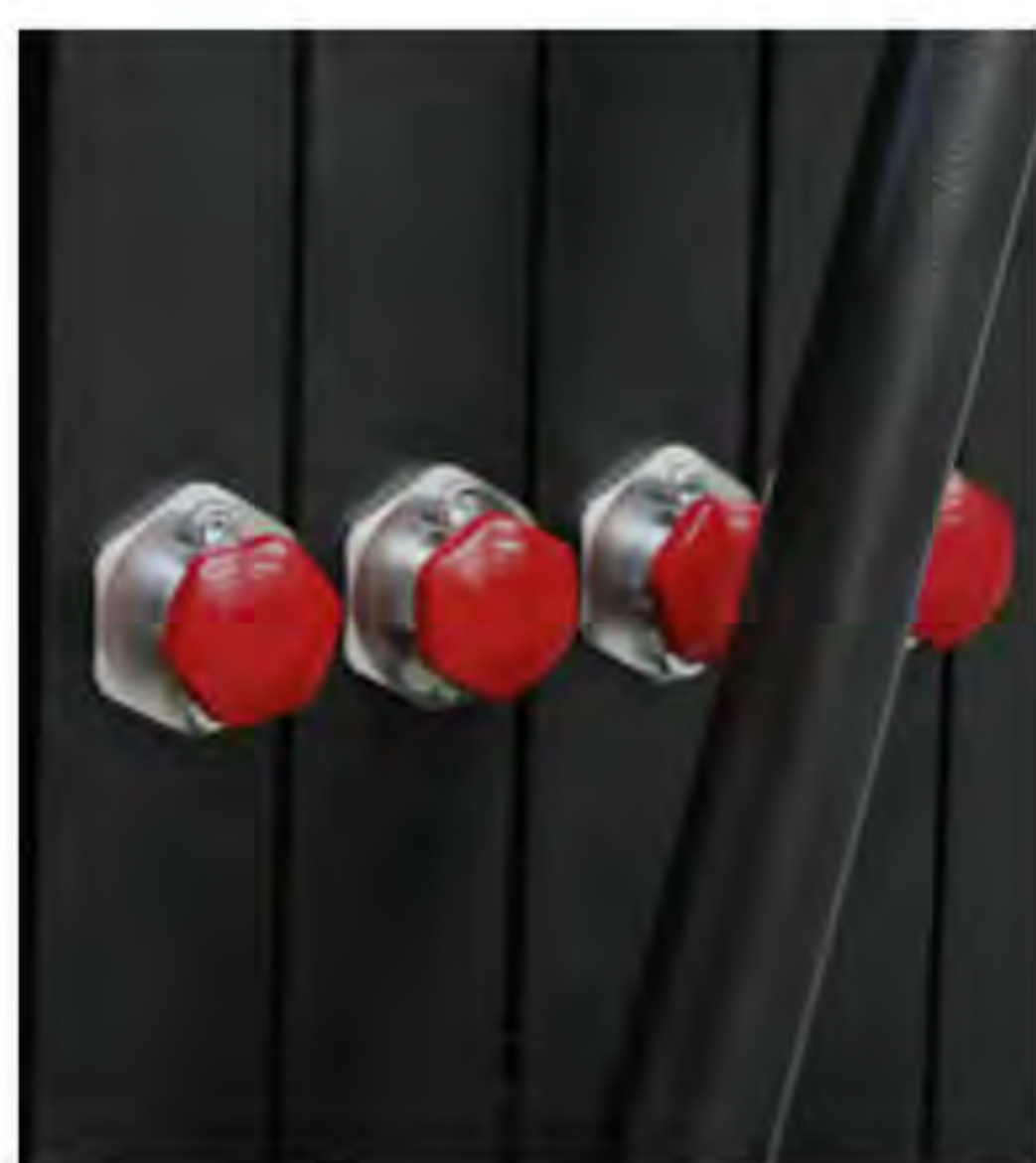


360°

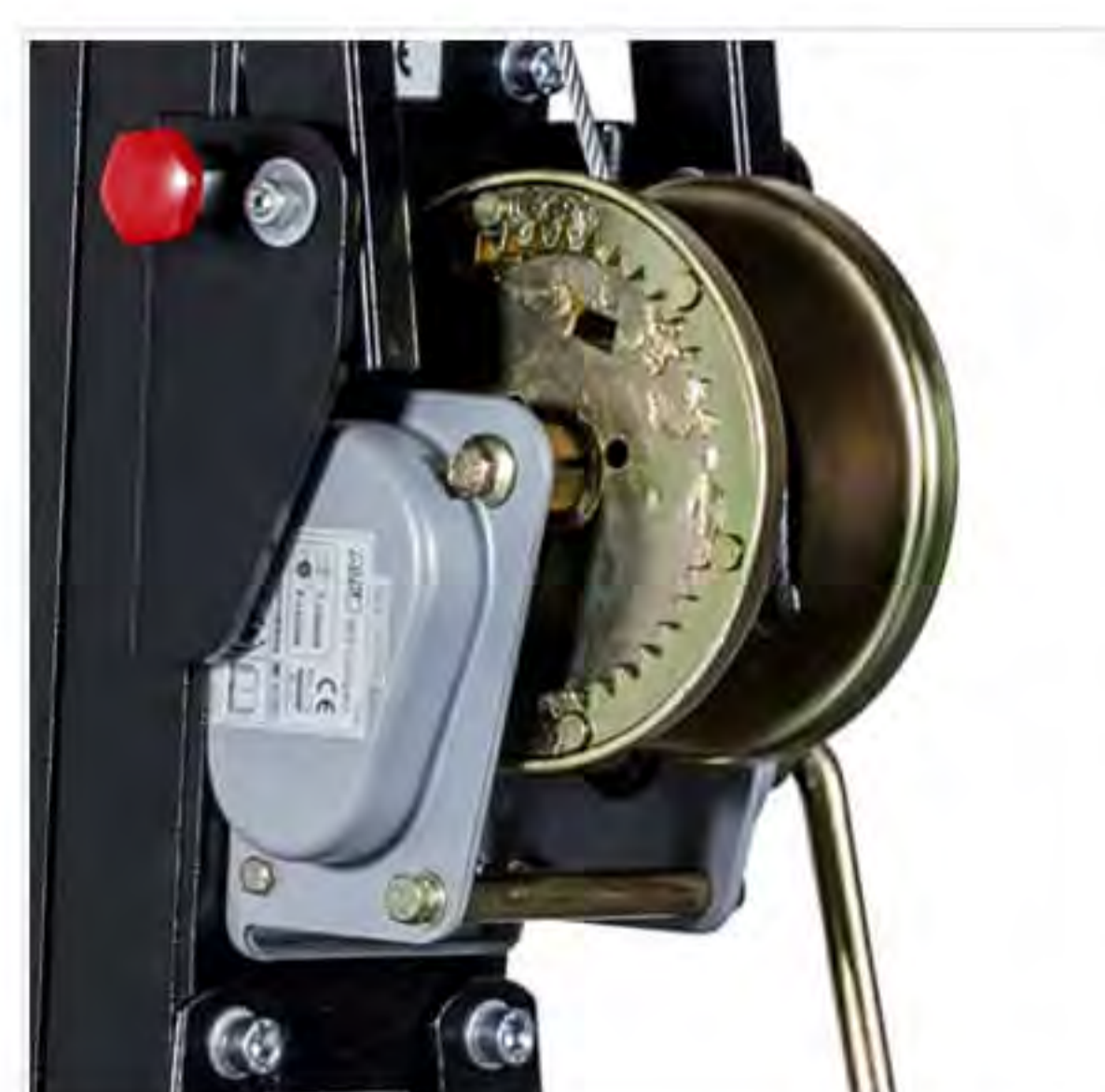
What makes our towers different?



Mast Section Unblocking System (MSU)



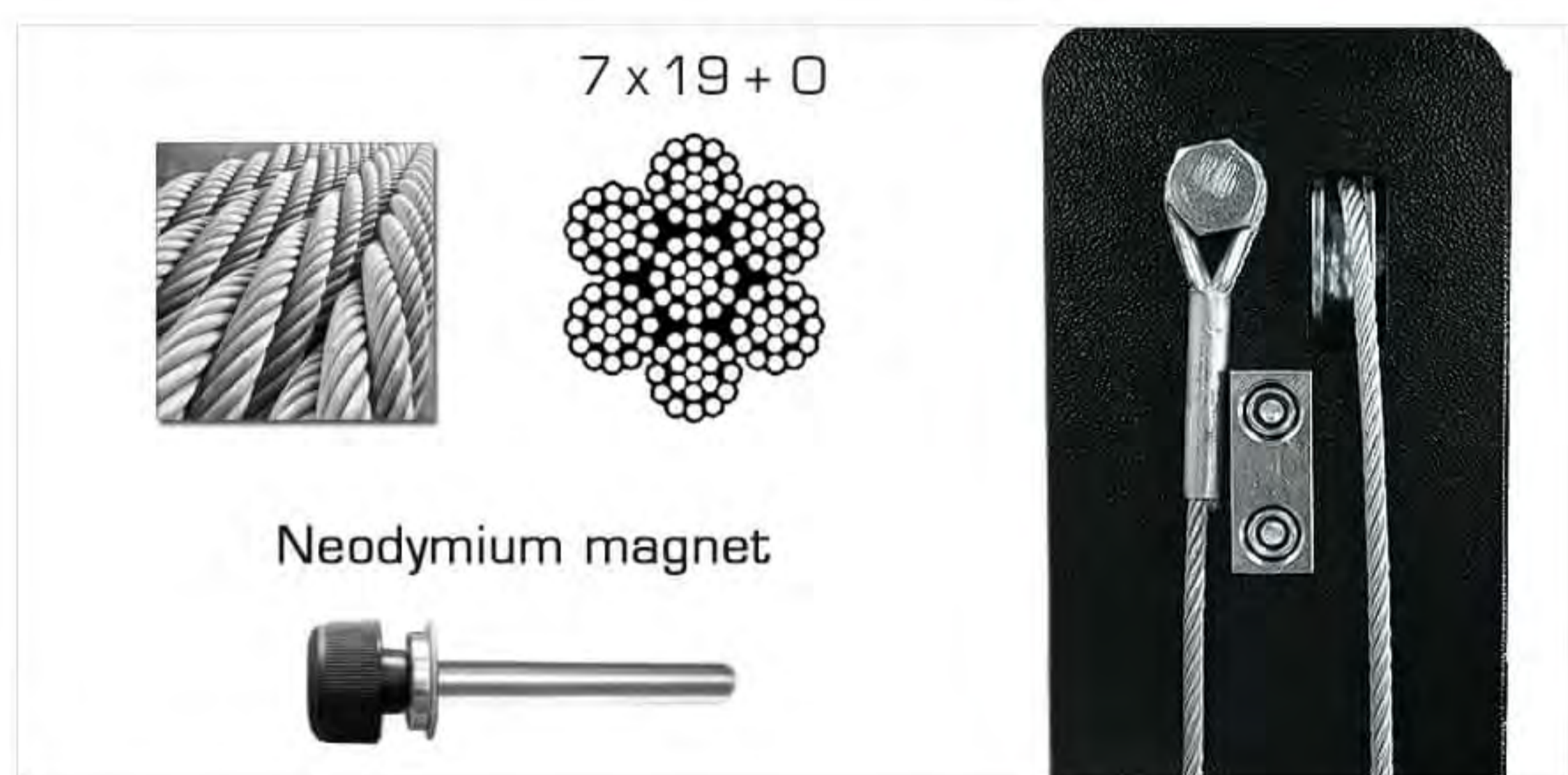
Automatic Safety Blocking System (ASB)



Auto-brake Winch (AL-KO 900)
Complies with CE Machinery Directives.



Internal Pendulum Brake System (IPB)



Reinforced Aluminium Sections. Galvanised steel wire rope. Stainless steel magnetic fastener bolts (Neodymium).



More mast overlap.
Prevent fishing rod effect.



4 heavy-duty wheels (Ø100mm) with aluminium core & steel fastening plates (secured by 4 bolts each).



50 x 50 mm Reinforced forks. Maximum strength.
Adjustable & detachable design.



Cable resend system with steel pulleys.



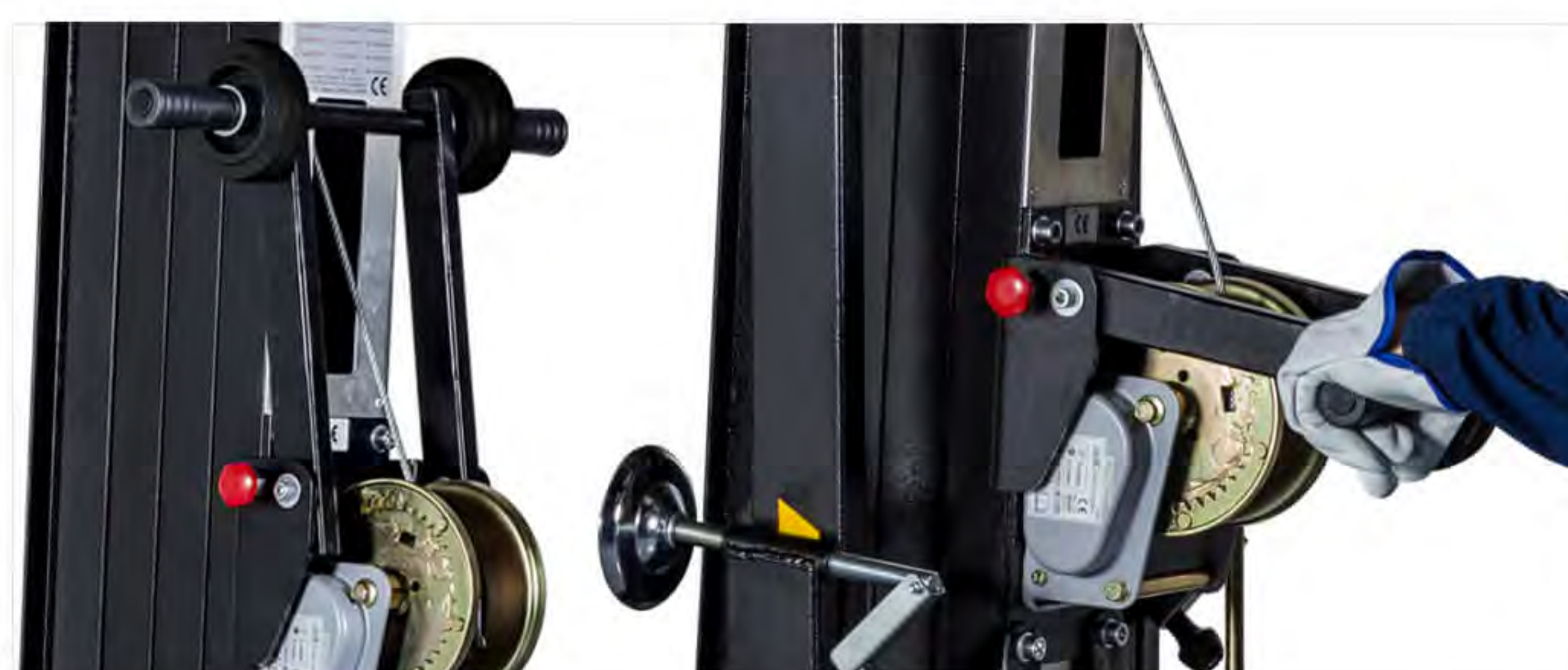
Fitted with 4 stabiliser braces for greater lift stability.



Husillos niveladores de doble paso y velocidad con discos cromados con caucho antideslizante.



Steel plate to reinforce the securing of the mast sections to the base.
Integrated manual holder.



Fold-away handles with Ø100mm wheels for horizontal transportation & loading into vehicles.