

MCSL 006TW

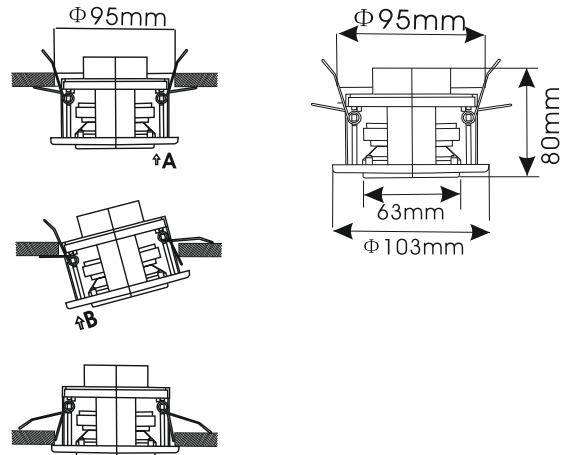
ABS IN-CEILING SPEAKER

Technical data

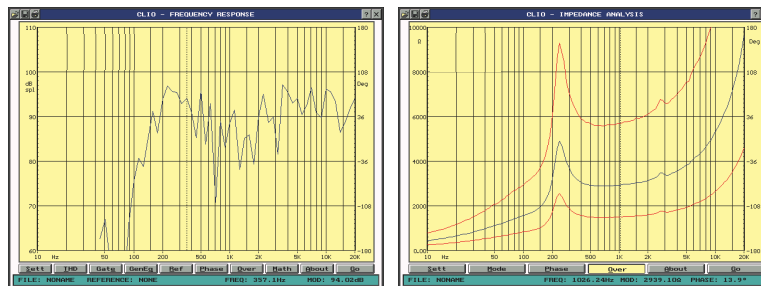
General Specification	
Frequency Response	120-20KHz
S.P.L.	91dB at 100V 3W
Sensitivity(1M/1W)	87dB
Rated power	6W
Power Taps	6W/3W
Line input	100V
Hole for mounting	Φ95mm
Dimension(L*W*H)(mm)	Φ103*80
Physical Specification	
Material	ABS(white ral 9016)
Grille	Powder Coated Iron Mesh White ral 9016
Component	2.5" full speaker
Finished Colour	White ral 9016
Unit Weight	0.5Kg
Gross Weight	15kg/24pcs
Packing Dimension	46*35*21cm
Woofer Speaker Specification	
Voice Coil Size	0.09*2layer
DC Impedance	7.2Ω
Former	Paper
Magnet	Ferrite(105g) Φ60*Φ24*8(Y30)
Basket	Iron
Cone Material	Paper
Spider	Cloth
Dust cap	Paper
Net Weight	220g



Dimensions



Frequency response



Polar response

