

SHADOW 108CT

ALL WEATHER SPEAKER

DESCRIPTION

- Multipurpose 8" coax, 450W-8Ohm / 124dB SPL
- 8" coaxial woofer with 2" coil and 1" HF driver with 1,4" coil on conical 90° horn
- 100V line transformer with selectable 100W/50W power tapping
- Sturdy molded polyethylene curved enclosure
- Steel U bracket and other included hardware accessories
- 4 wires cable to select the desired power tapping
- Water-stop grille with 3 layers of protection
- IP55 weather resistant
- Standard grey finish RAL 7011

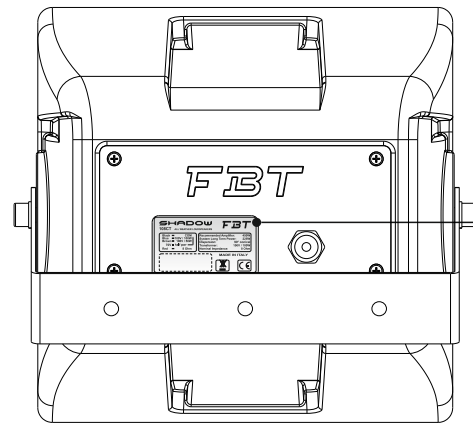


IP55
WEATHER
RESISTANT

SPECIFICATIONS

System type	2 way
Recommended amplifier	450W RMS
Long term power	225W
Short term power (IEC 268-5)	900W
Transformer	100V / 100W
Nominal impedance	8 Ohm
Frequency response	80Hz ÷ 20kHz (@ -6dB)
Sensitivity	95dB (@ 1W,1m)
Max. SPL (cont./peak)	120dB / 124dB
Dispersion	90° conical
Crossover frequency	1,8kHz
Recommended HP filter	60Hz - 24dB oct.
Low frequency woofer	8" / 2" coil
High frequency driver	1" / 1,4" coil
Input connectors	4 wires cable
Net dimensions (WxHxD)	7,08 x 11,81 x 7,08 inch
Shipping dimensions (WxHxD)	11,22 x 11,22 x 9,84 inch
Net weight	15,4 lbs
Shipping weight	19,8 lbs
Enclosure material	Polyethylene rotomoulded
Grille	Custom perforated stainless steel

TECHNICAL SPECIFICATIONS LABEL

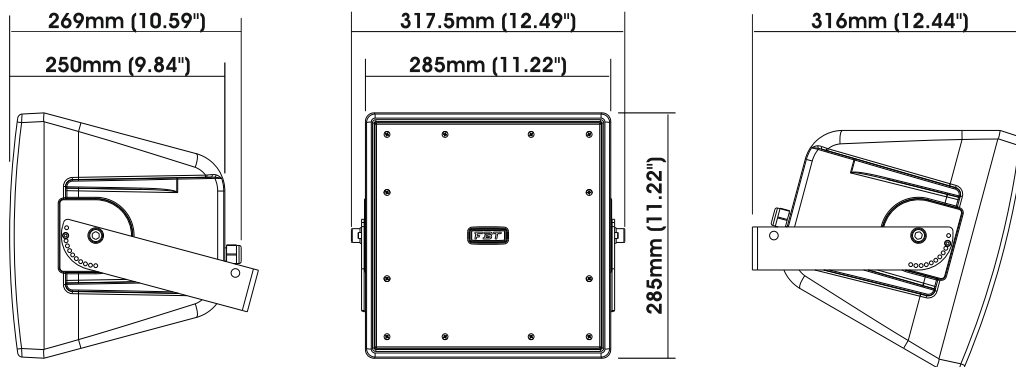


SHADOW F.B.T.
108CT ALL WEATHER LOUDSPEAKERS

<table border="0"> <tr> <td>Black -</td> <td>COM</td> </tr> <tr> <td>Blue -</td> <td>100V / 100W</td> </tr> <tr> <td>Brown -</td> <td>100V / 50W</td> </tr> <tr> <td></td> <td>70V = half pwr</td> </tr> <tr> <td>Red -</td> <td>8 Ohm</td> </tr> </table>	Black -	COM	Blue -	100V / 100W	Brown -	100V / 50W		70V = half pwr	Red -	8 Ohm	<table border="0"> <tr> <td>Recommended Amplifier:</td> <td>450W</td> </tr> <tr> <td>System Long Term Power:</td> <td>225W</td> </tr> <tr> <td>Dispersion:</td> <td>90° conical</td> </tr> <tr> <td>Transformer:</td> <td>100V / 100W</td> </tr> <tr> <td>Nominal Impedance:</td> <td>8 Ohm</td> </tr> </table>	Recommended Amplifier:	450W	System Long Term Power:	225W	Dispersion:	90° conical	Transformer:	100V / 100W	Nominal Impedance:	8 Ohm
Black -	COM																				
Blue -	100V / 100W																				
Brown -	100V / 50W																				
	70V = half pwr																				
Red -	8 Ohm																				
Recommended Amplifier:	450W																				
System Long Term Power:	225W																				
Dispersion:	90° conical																				
Transformer:	100V / 100W																				
Nominal Impedance:	8 Ohm																				

MADE IN ITALY

DIMENSIONS

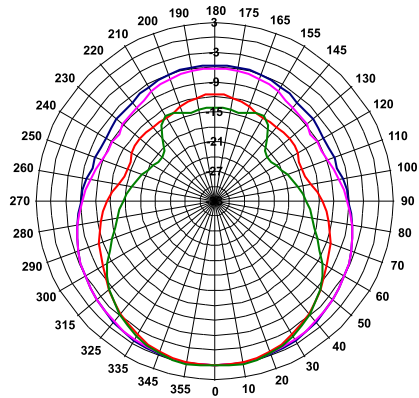


SHADOW 108CT

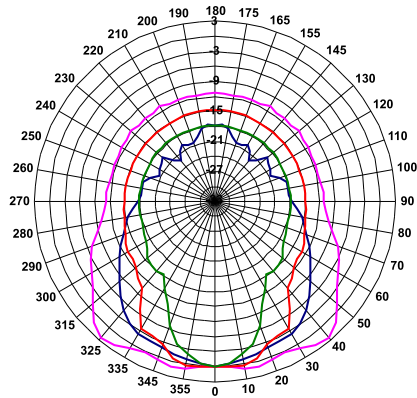
ALL WEATHER SPEAKER

DIAGRAMS

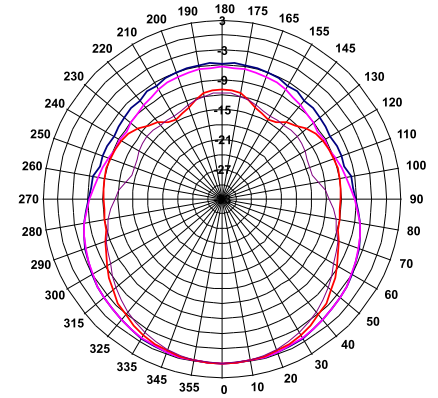
Horizontal polar diagram
— 250 — 500 — 1000 — 2000



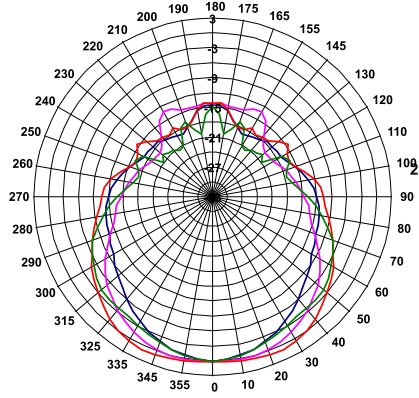
Horizontal polar diagram
— 4000 — 8000 — 12500 — 16000



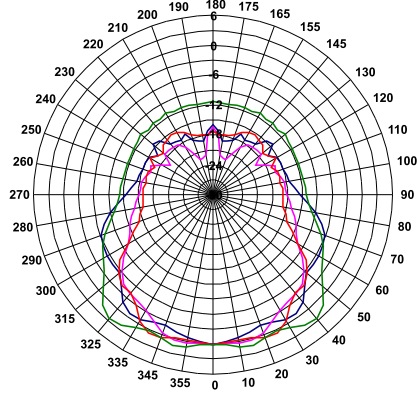
Vertical polar diagram
— 250 — 500 — 800 — 1000



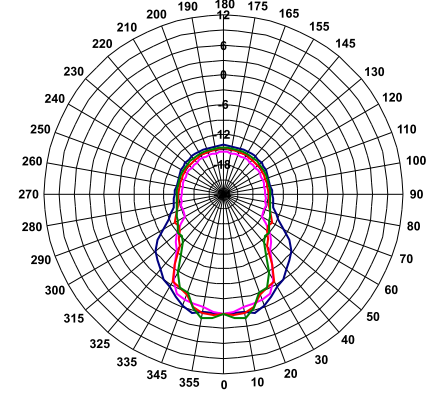
Vertical polar diagram
— 1400 — 2000 — 2500 — 3150



Vertical polar diagram
— 4000 — 5000 — 6300 — 8000



Vertical polar diagram
— 9000 — 10000 — 12500 — 14000



SUPPLIED ACCESSORIES

